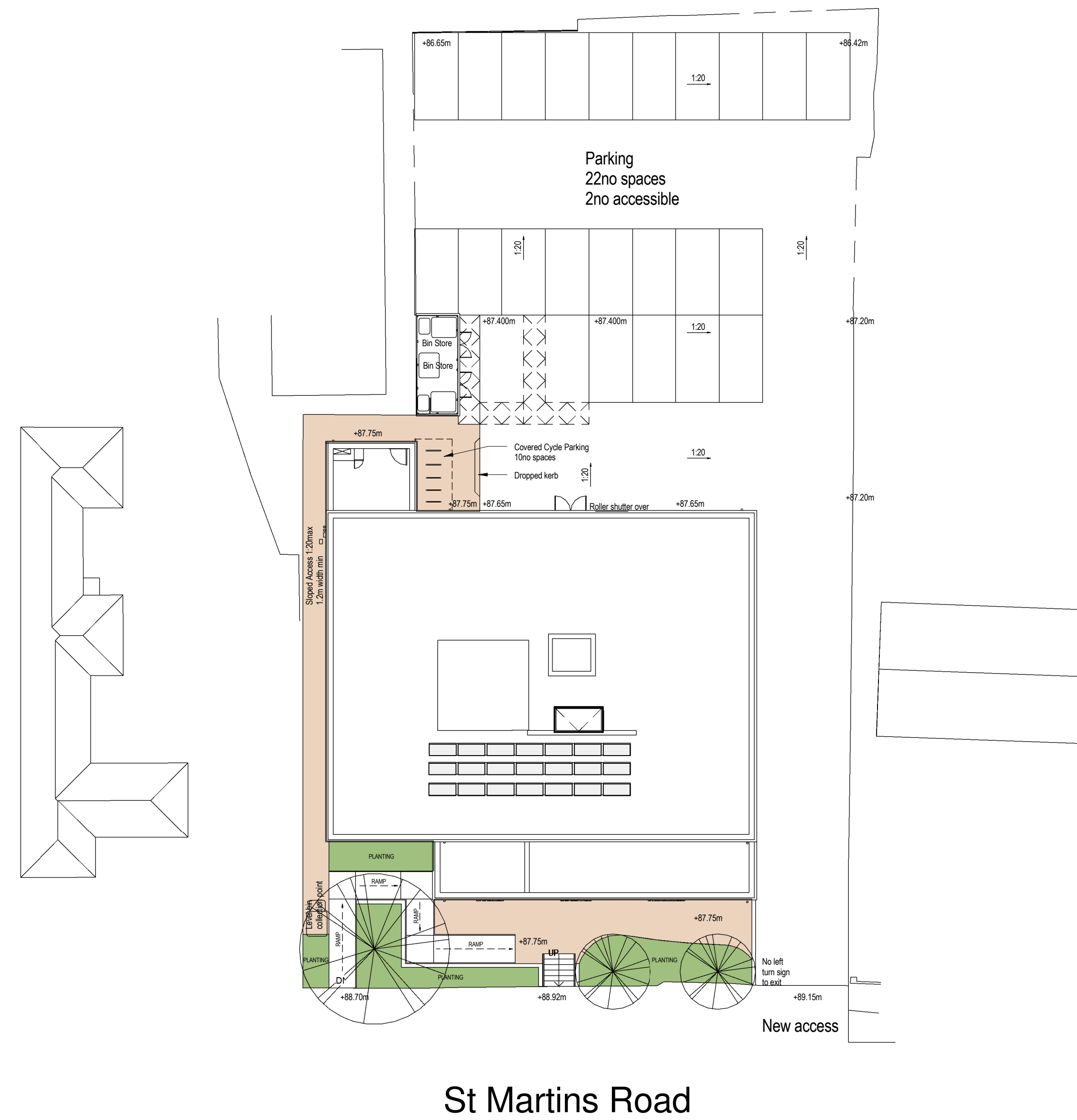




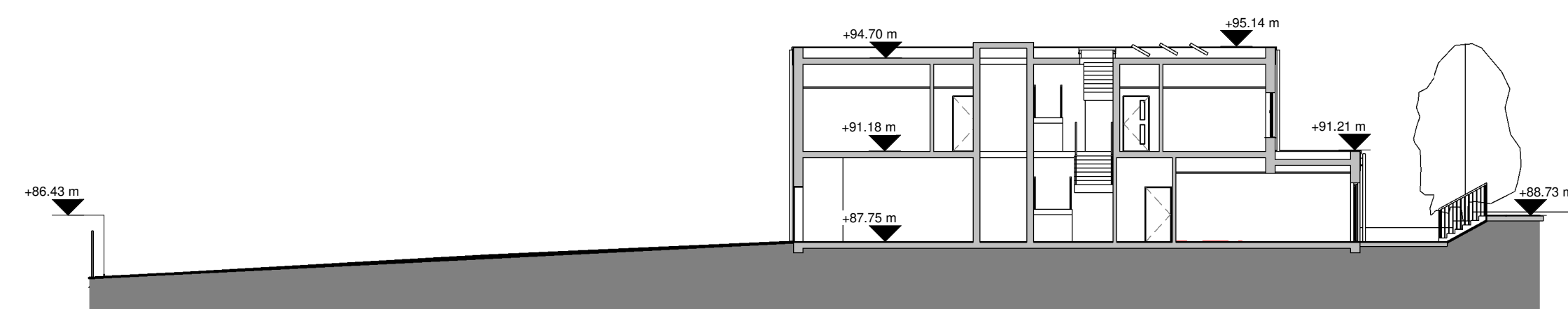
1 Proposed Site - Ground Floor  
1 : 200



2 Proposed Site - Roof Site  
1 : 200



3 Site Elevation  
1 : 200



4 Site Section  
1 : 200